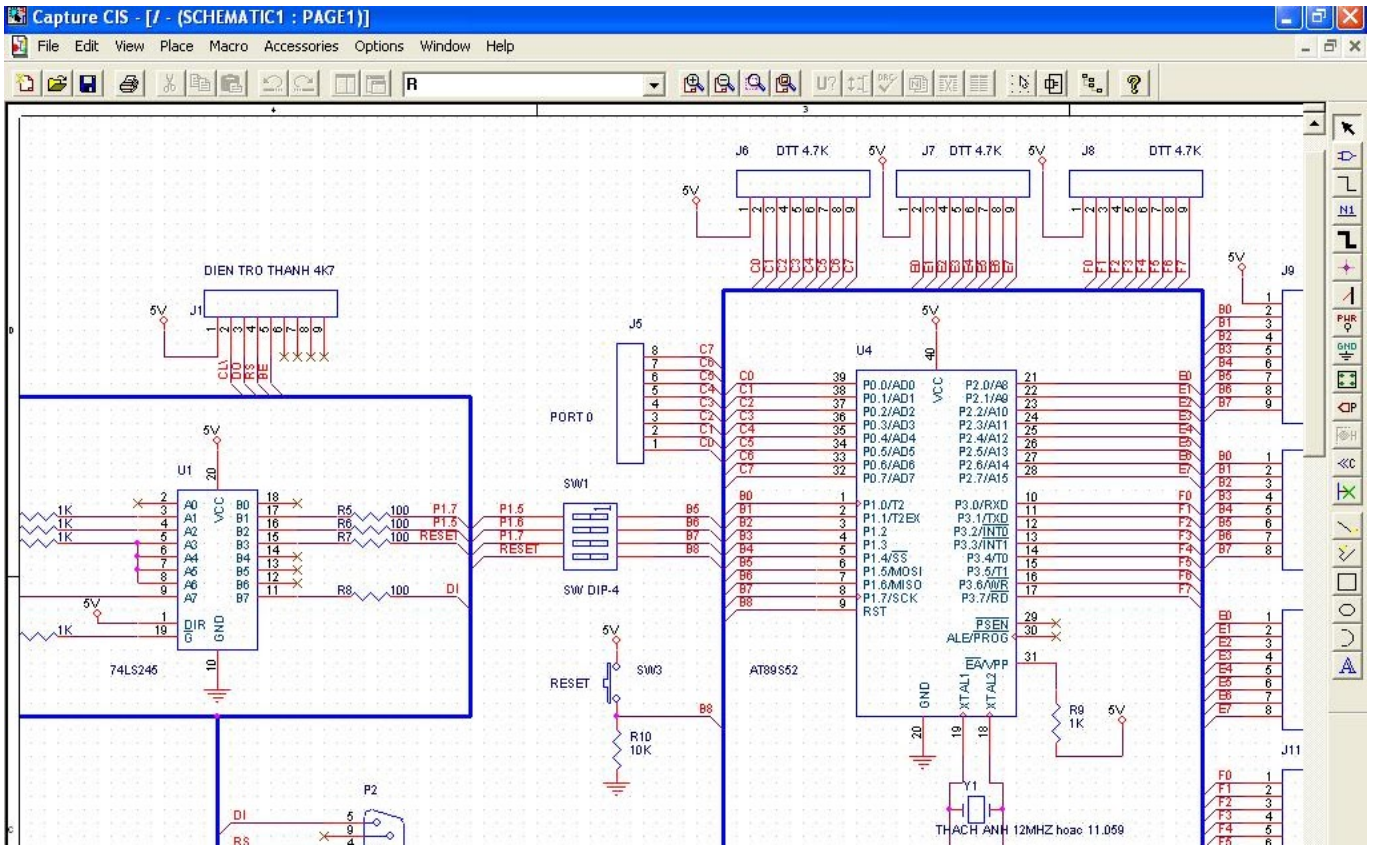




[Orcad Free Download](#)



[Orcad Free Download](#)



**DOWNLOAD**

Importing mechanical elements: Almost all printed circuit boards will eventually have to fit into something.. This amazing application can handle the entire process of the circuit design process and displays the circuits on the screen with all the features.

- 1. [orcad](#)
- 2. [orcadian](#)
- 3. [orcad capture](#)

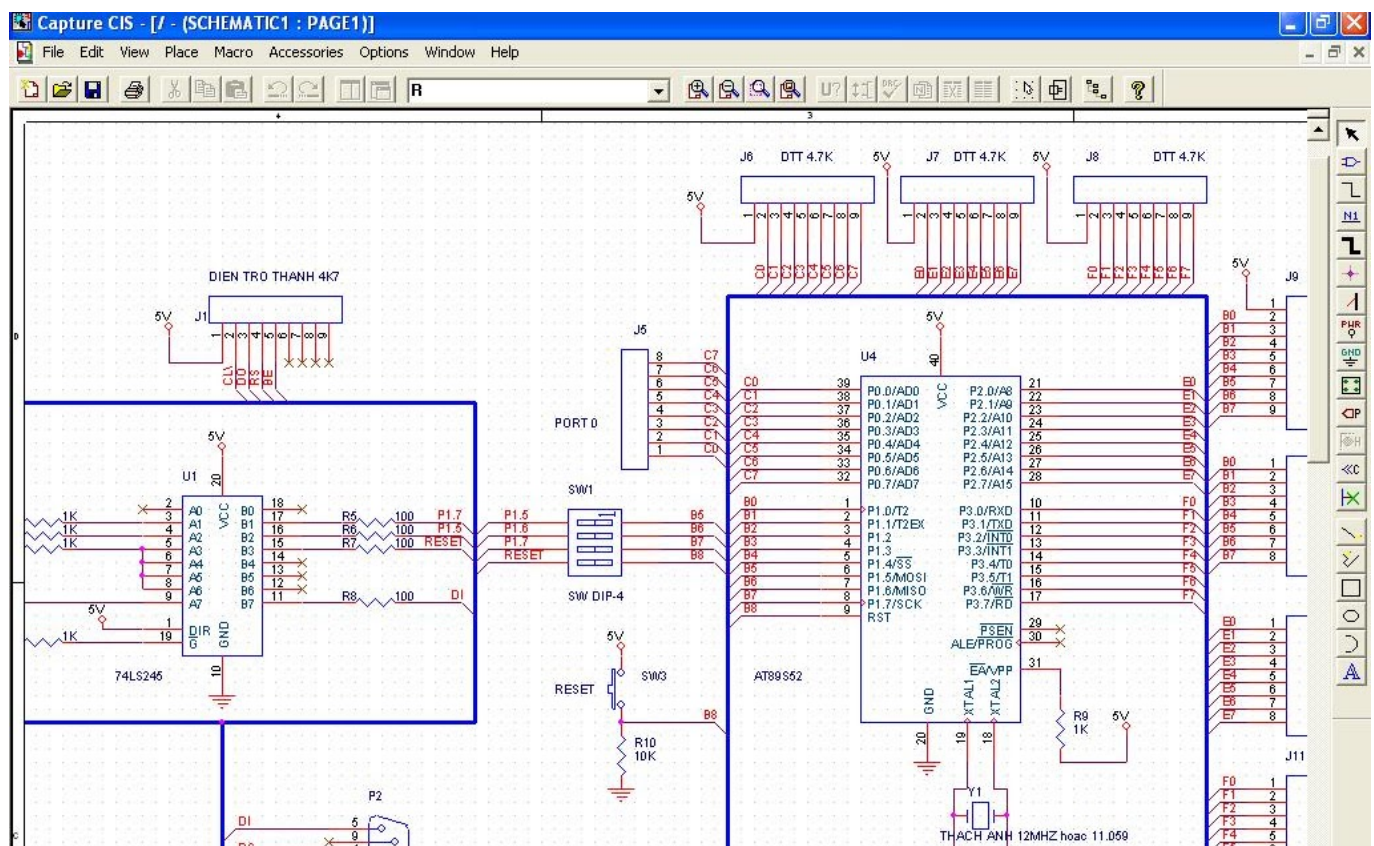
The top Christmas gifts for men from elegant bifold leather wallets to graphic T-shirts with Snarky jokes for car couples like mobile phone holders and bullet chargers are all on sale here and many of them are great Christmas gifts for Santa.

## orcad

orcad, orcadian horsemen, orcadian, orcad download, orcad capture, orcad price, orcad lite, orcad student, orcadian mythology, orcades [Download Katalon Studio For Mac](#)

With OrCAD 16 6 you can import mechanical elements like the enclosure so you can be sure from the beginning that you meet the physical limitations of the intended end product.. Versions of this software are now available for iOS and Android systems that allow users to access their projects and create designs without the use of a PC.. In order to keep up to date with the availability of selected product and update versions Cadence Online Support users can set up their software update settings.

[Download Vlc For Mac Air](#)



[Software Gratuito De Edición De PDF Para Mac OS X](#)

---

## orcadian

[Qemu Vga Drivers For Mac](#)

[Autotune Evo V 6 0 9 Crack Dimi Vst Rtas Rar Extractor](#)

## orcad capture

[Ti 89 Titanium Drivers For Mac](#)

0041d406d9 [Fb Messenger App For Mac](#)

0041d406d9

[Cyberlink Powerdirector Crack Torrent](#)